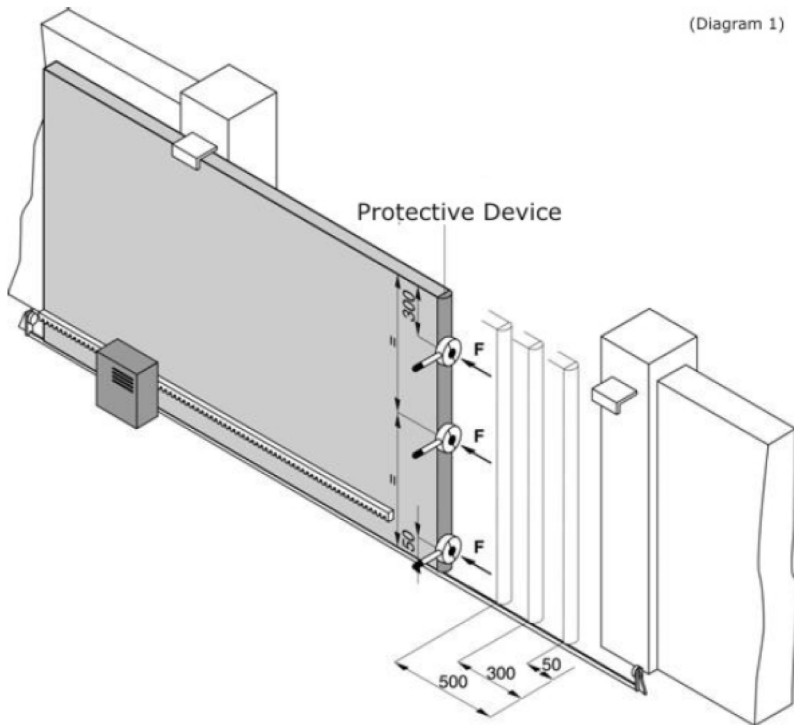


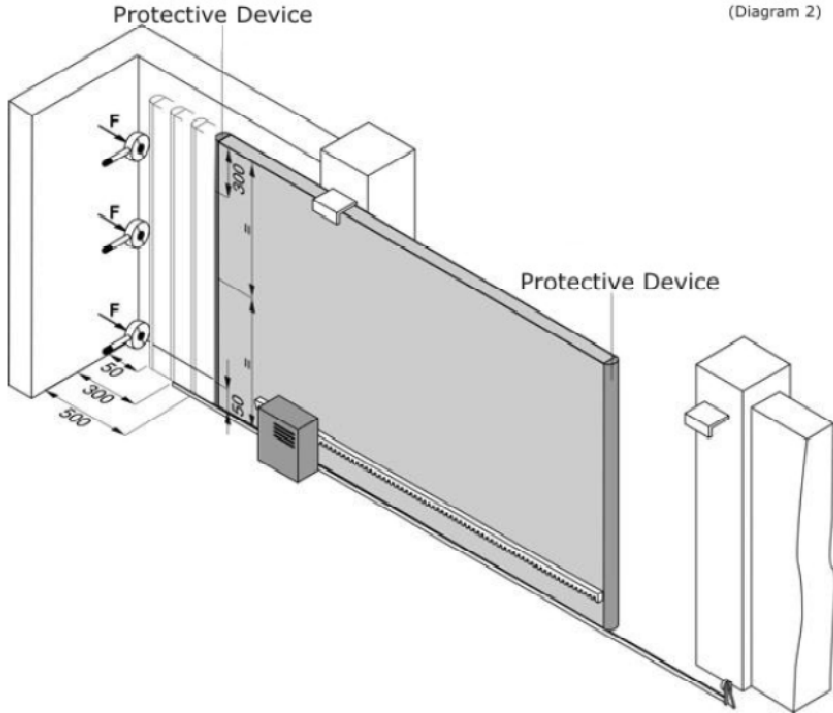
The following information is provided to manufacturers and installers of automatic gate & door systems to help guide through the testing procedure involved for compliance to BS-EN12445. Compliance testing to this standard applies to ALL new automatic gates installed, and also should be carried out to any retro-fit installations on existing gates. (All information is provided as guidance only and is referenced from official regulation documentation; Berkshire Gates Ltd accepts no responsibility for any errors or omissions in this document. The full standard is available for purchase on the BSi website <http://shop.bsigroup.com/en/>. The installer of a new gate system should carry out a full risk assessment of the site where the gate is to be fitted both before and after the installation. The following guide describes the testing procedure for automatic sliding and swing gates.

Sliding Gate Test Points

A typical sliding gate closing scenario is shown in the diagram (1) below, the test points required by this standard are indicated and must be carried out as follows :- Vertically testing points to be measured are 50mm from bottom, 300mm from top and then halfway up the gate (up to a height of 2.5M). Distances from closing position are also measured at 500mm, 300mm & 50mm. Each measurement point is tested 3 times and the average value is used, there are a total of 27 measurements to make using an EN12445 approved testing device.



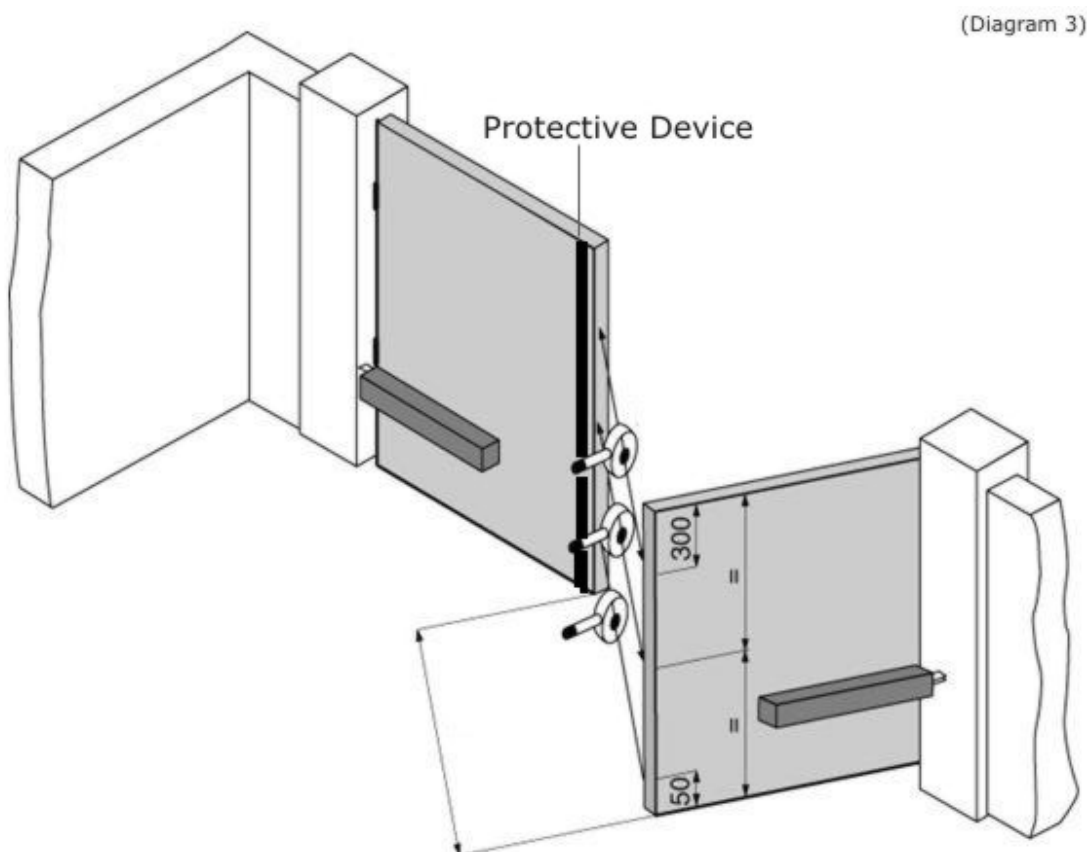
If the average test results exceed 400N in force an appropriate protective device (e.g. resistive Safety Edge) should be fitted to the gate and the tests carried out again. The tests are repeated for the opening phase of the gate if an obstruction or opening post is in place (diagram 2).



If the average test results exceed 400N in force an appropriate protective device (e.g. resistive Safety Edge) should be fitted to the gate and the tests carried out again.

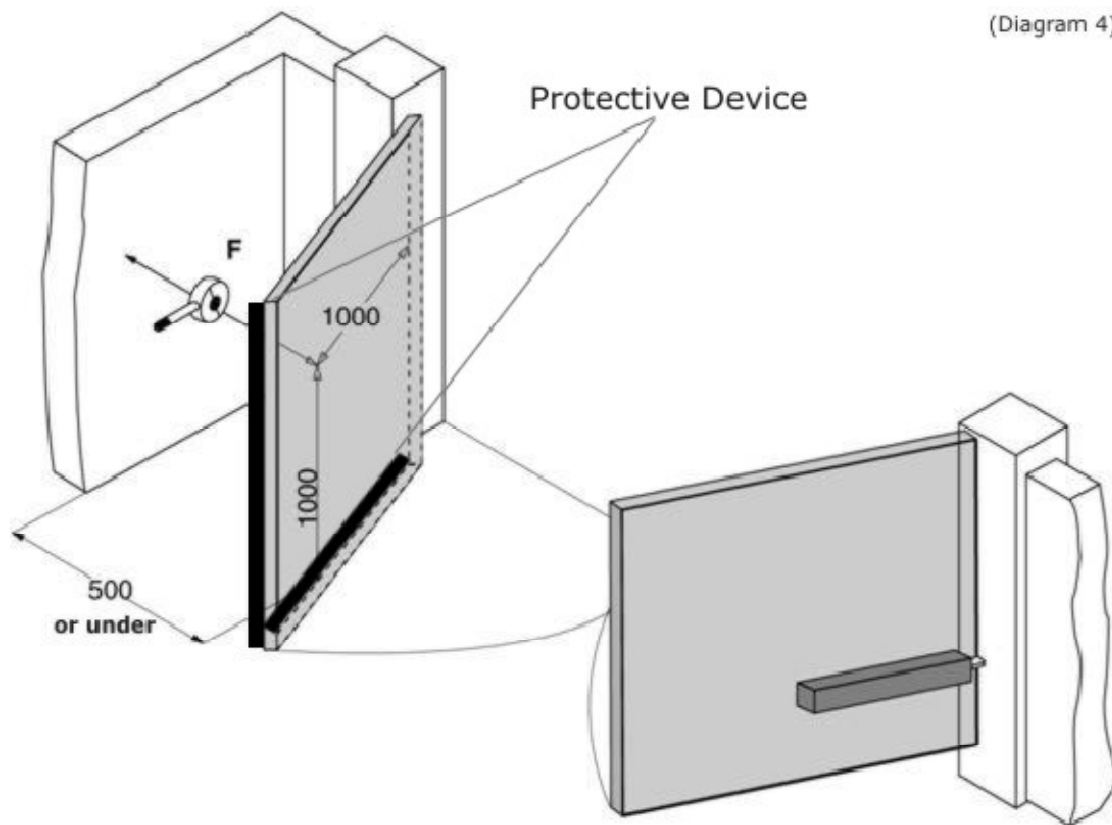
Swing Gate Test Points

A typical swing gate closing scenario is shown in the diagram (3) below, the test points required by this standard are indicated and must be carried out as follows :- Vertically testing points to be measured are 50mm from bottom, 300mm from top and then halfway up the gate (up to a height of 2.5M). Distances from closing position are also measured at 500mm, 300mm & 50mm. Each measurement point is tested 3 times and the average value is used, there are a total of 27 measurements to make using an EN12445 approved testing device.



If the average test results exceed 400N in force an appropriate protective device (e.g. resistive Safety Edge) should be fitted to the gate and the tests carried out again.

Tests are also to be carried out for the opening phase of the gate if obstructions such as a wall, fence or post are within 500mm of the gates fully opening position. In this case a single measurement point should be selected either 1000mm from the ground or at the most prominent point of the gate (See diagram 4).



If the average test results exceed 400N in force an appropriate protective device (e.g. resistive Safety Edge) should be fitted to the gate and the tests carried out again.

RESULTS

RESULTS (ENTER VALUES BELOW)					
Bottom	Measurement	1	2	3	Average
	500mm	0	0	0	0
	300mm	0	0	0	0
	50mm	0	0	0	0

Middle	Measurement	1	2	3	Average
	500mm	0	0	0	0
	300mm	0	0	0	0
	50mm	0	0	0	0

Top	Measurement	1	2	3	Average
	500mm	0	0	0	0
	300mm	0	0	0	0
	50mm	0	0	0	0

RESULTS (ENTER VALUES BELOW)					
Bottom	Measurement	1	2	3	Average
	500mm	0	0	0	0
	300mm	0	0	0	0
	50mm	0	0	0	0

Middle	Measurement	1	2	3	Average
	500mm	0	0	0	0
	300mm	0	0	0	0
	50mm	0	0	0	0

Top	Measurement	1	2	3	Average
	500mm	0	0	0	0
	300mm	0	0	0	0
	50mm	0	0	0	0