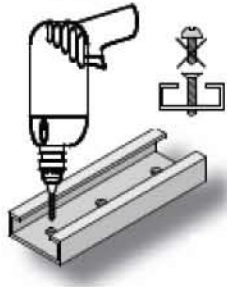
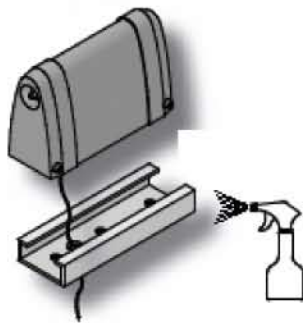




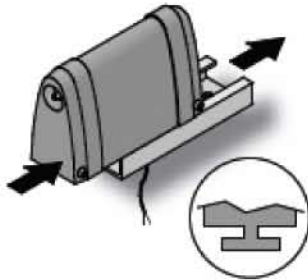
The aluminium profile should only be attached to flat surfaces.



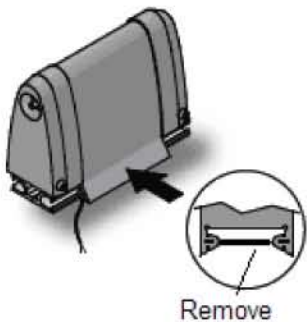
The aluminium profile must be fitted with countersunk screws or rivets. A diameter of 4 mm is sufficient. The holes of 4.5 mm must be evenly distributed over the entire length of the profile with distances between them not exceeding 300 mm. Pan or round head screws should not be used.



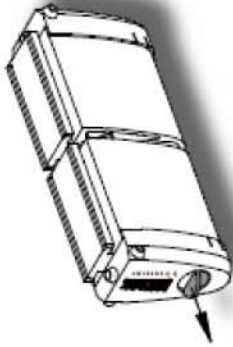
In order to lead the connecting wire through the profile, an 8 mm hole has to be drilled in the appropriate place. Carefully remove the burr from both sides. In order to make fitting the safety contact edge easier, the aluminium profile and the safety contact edge should be de burred and sprayed with soapy water.



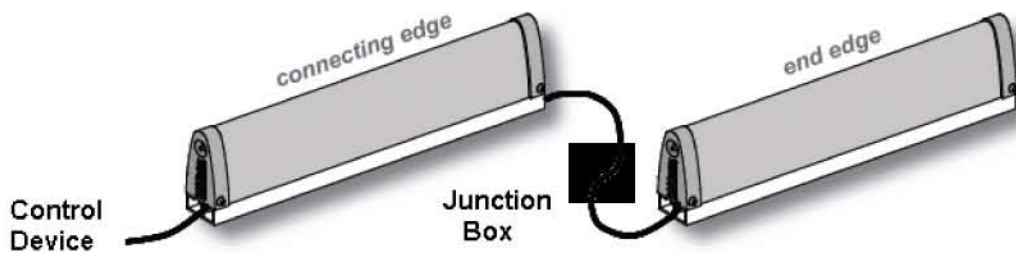
Safety contact edges with a "T" base slide into the aluminium profile.



Safety contact edges with a "C" base need the 20mm support profile removed and are then pressed in one side, then the other. Pulling or pushing the safety contact edge into the aluminium profile can cause damage to the contact edge and should be avoided at all costs



It is important to provide a water drain. On vertical installations the lower water outlet must be cut out, and on horizontal assemblies both openings should be cut out.



Control device will be;

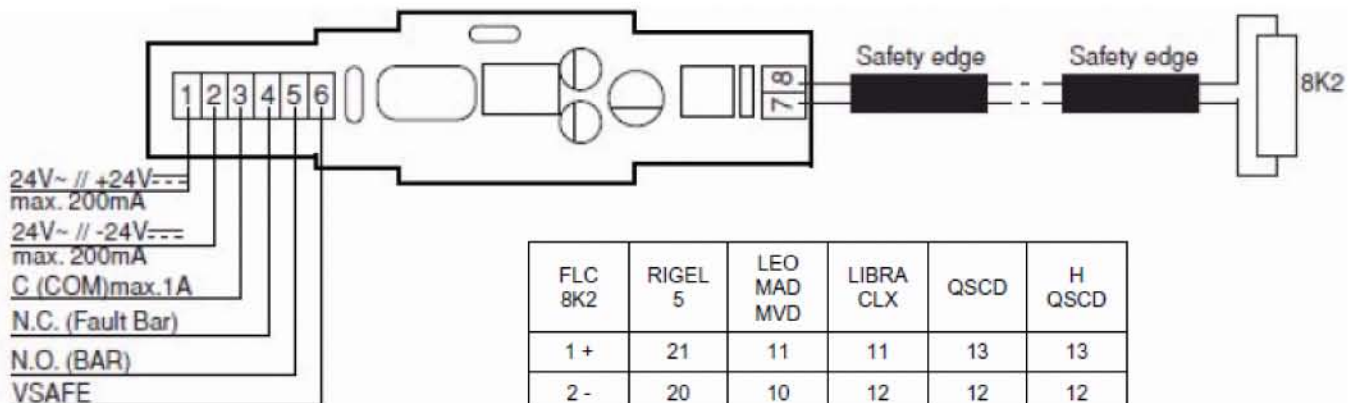
For fixed elements of sliding gates and swing gates;

- FLC for BFT panels
- ASO 32-24 Relay for non BFT panels

For the moving element of a sliding gate either;

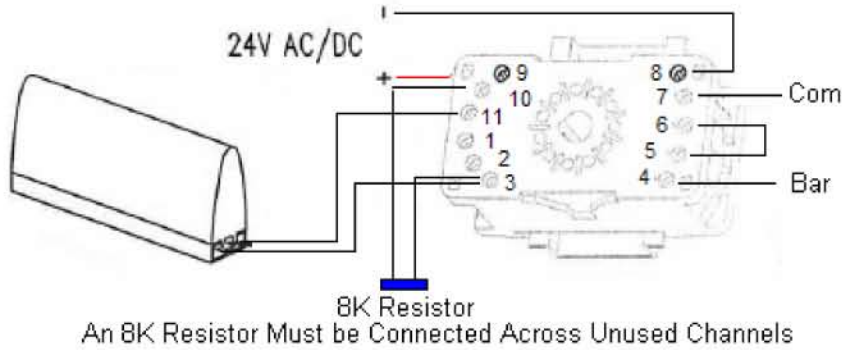
- ASO Indus Inductive Cable System
- BFT DCW Wireless Photo Cell

BFT 8K2 Wiring;

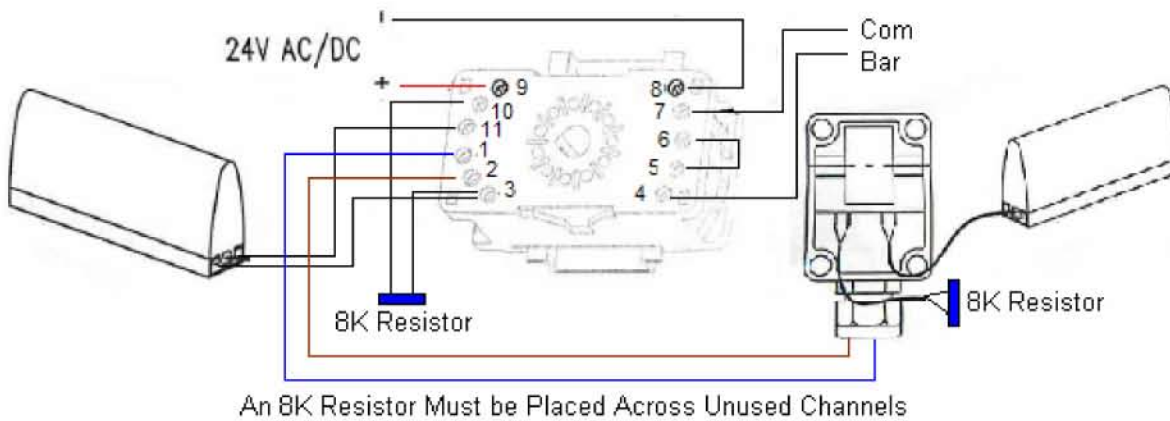


FLC 8K2	RIGEL 5	LEO MAD MVD	LIBRA CLX	QSCD	H QSCD
1 +	21	11	11	13	13
2 -	20	10	12	12	12
3	36	21	15	21	21
4	54	33	28	18	27
5	37	30	27	25	25
6 +	44	14	13	17	17

### ASO 32-24 Relay Wiring;



### ASO Indus Relay Wiring;



### Relay Terminal Chart;

Terminal	Description
1	Indus Induction Coil
2	Indus Induction Coil
3	Common Edge 1&2
4	Bar Output
5	Link Out
6	Link Out
7	Com Bar Output
8	24v + AC/DC
9	24v - AC/DC
10	Safe Edge 2
11	Safe Edge 1